

DIAMOND ANTENNA

K550KM

Mini Van Luggage Rack Mount

General Specifications

- Low loss SO-239 type base for popular VHF/UHF antennas.
- Coaxial cable: 13 ft. RG-58C/U with PL-259 connector.
- Adjustment nut for antenna position. (Figure A)
- Black anodized finish.
- Maximum recommended antenna height is 50 inches.

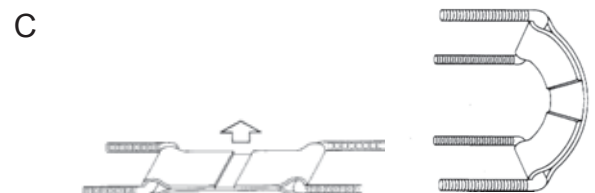
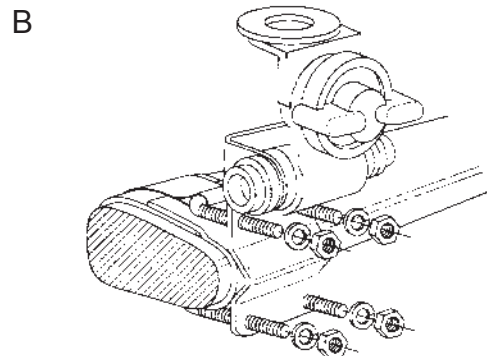
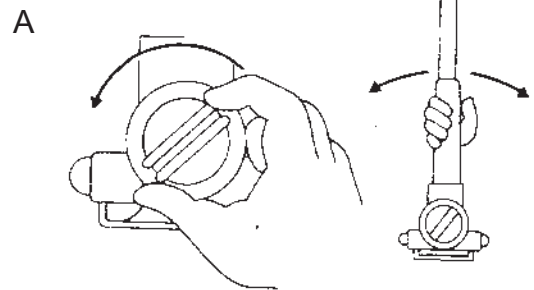
Installation Instructions

(1) Choose desired mounting location on vehicle to ensure maximum strength of mount and best performance of antenna.

(2) When best location is determined, fasten mount to vehicle by appropriate means: use phillips head screwdriver and adjustable wrench. Hex wrench included for mount body adjustment.

(3) Route the coaxial cable from antenna mount to radio. Install the PL-259 connector (supplied with mount) to cable end. Connector installation instructions are inscribed on connector package. Connect cable to radio.

The K550KM is recommended for mini vans with rectangle or oval shaped luggage rack rails. Install on rail as shown in Figure B. Bend mounting plate as shown in Figure C. Position mount in desired location, and fasten nuts.



Please check our website for installation ideas.
When completed, waxing the black portion of the mount will help maintain appearance.